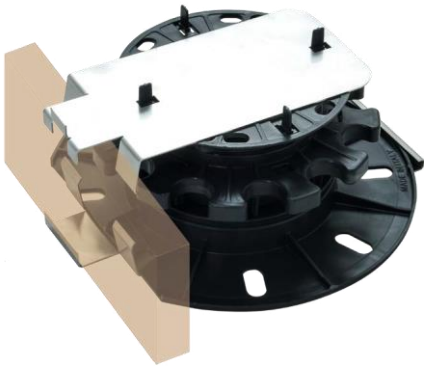


STAINLESS STEEL SIDE TILE FINISHING BRACKETS



INDEX

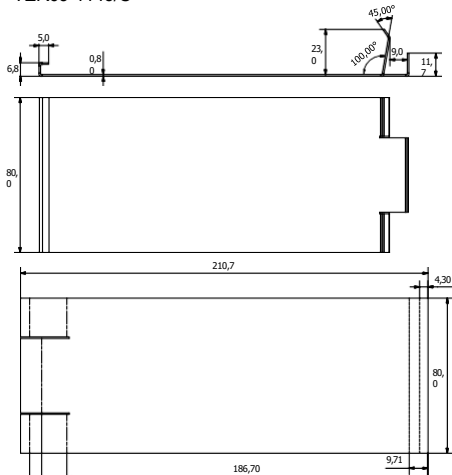
1. Data and Documentation
2. Use
3. Specifications

1. DATA AND DOCUMENTATION

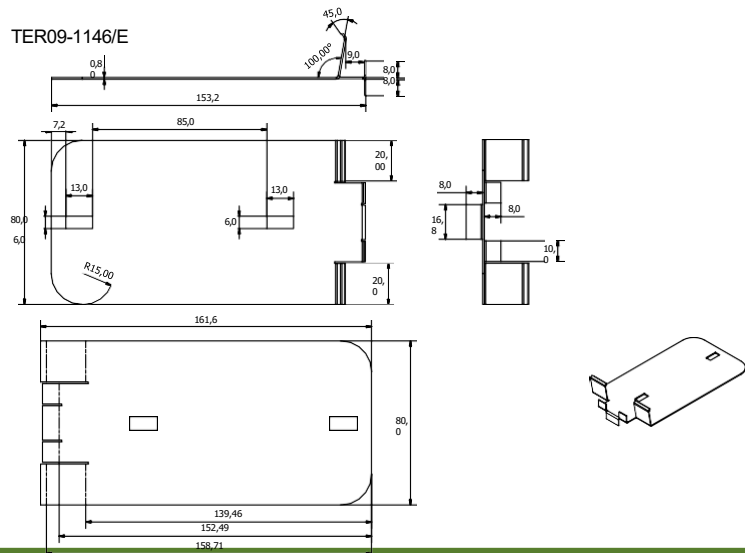
Code	Description	Dimensions (mm)	Weight	Pkg. / Pallet
TER09-1146/C	Sub-base bracket for 10 mm side trim	-	0.106 kg/pc.	80 pcs. / - pcs.
TER09-1146/E	Bracket Plate for 10 mm Side Finishing	-	0.079 kg/pc.	80 pcs. / - pcs.
TER09-1146/D	20 mm Sub-Base Bracket for Side Finishing	-	0.107 kg/pc.	80 pcs. / - pcs.
TER09-1146/F	Bracket Plate for 20 mm Side Finishing	-	0.077 kg/pc.	80 pcs. / - pcs.

MATERIAL Made of stainless steel.

TER09-1146/C

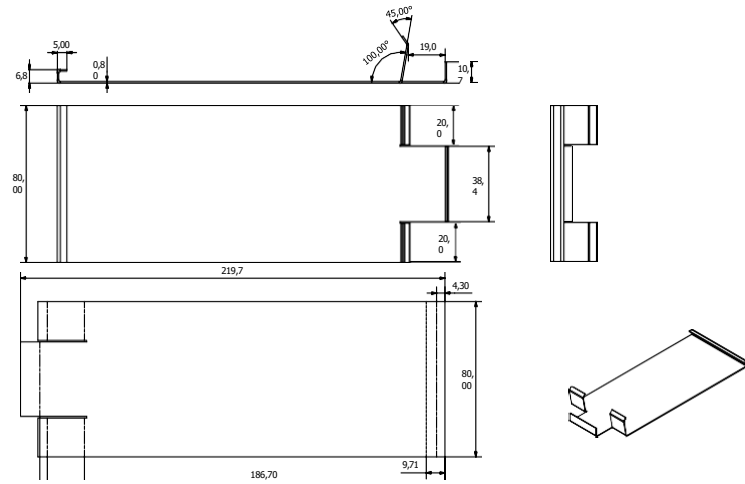


TER09-1146/E

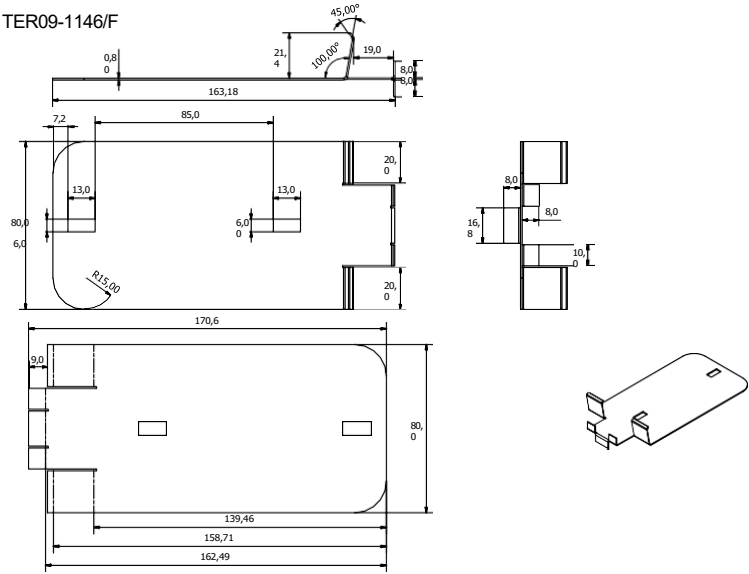


STAINLESS STEEL SIDE TILE FINISHING BRACKETS

TER09-1146/D



TER09-1146/F



2. USE

Used when laying perimeter tiles with Dakota raised floor supports.

3. SPECIFICATION ITEMS

Entry	Description	Unit	Price
Dak.D. TER09-1146/x	Supply and installation of Bracket that allows, in the installation of floating floors, the finishing of the perimeter space in the absence of a side retaining wall. Specifically designed for use only with Dakota, Arkimede and Arkimede Nano floating supports. Made of stainless steel. Used for perimeter finishing in the absence of a retaining side wall, when laying raised floors with Arkimede supports.		
Dak.D. TER09-1146/C	10 mm sub-base.....	pc.	-
Dak.D. TER09-1146/E	10 mm plate.....	pc.	-
Dak.D. TER09-1146/D	20 mm sub-base.....	pc.	-
Dak.D. TER09-1146/F	20 mm plate.....	pc.	-